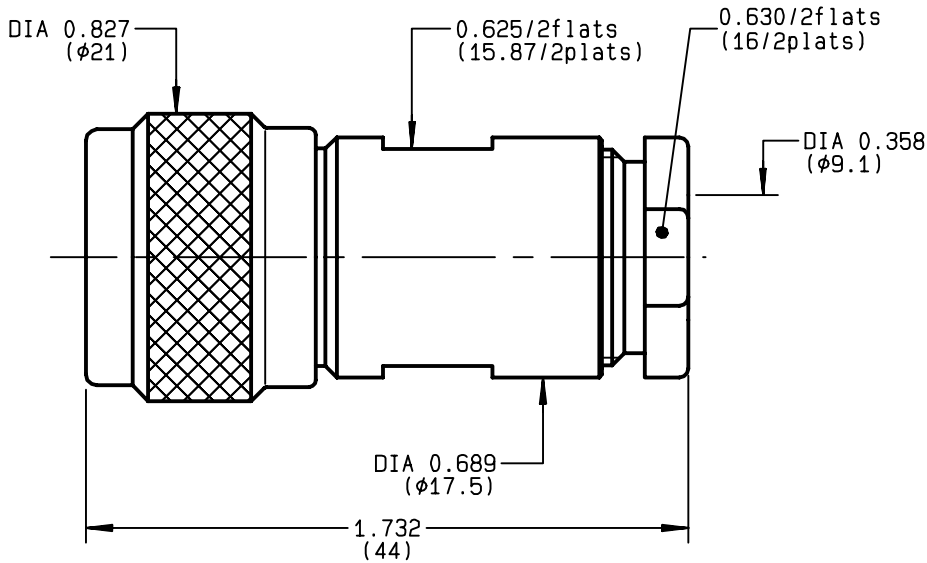


**STRAIGHT PLUG CLAMP TYPE
CABLE 8/75 D**

R162.013.000
SERIES N 75



NOMINAL IMPEDANCE	75 Ω	CABLES : RG 6
FREQUENCY RANGE	0-1.5 GHz	
TEMPERATURE RATING	-55/+155 °C	
V.S.W.R	1.06 + x F(GHz)Maxi	
RF INSERTION LOSS	0.15 √F(GHz) dB Maxi	
VOLTAGE RATING	1400 Veff Maxi	
DIELECTRIC WITHSTANDING VOLTAGE	2500 Veff Mini	
INSULATION RESISTANCE	5000 MΩMini	OTHERS CHARACTERISTICS
HERMETIC SEAL	NA Atm.cm ³ /s	CABLE RETENTION 200 N Mini
LEAKAGE (pressurized only)	NA	CENTER CONTACT RETENTION
MECHANICAL DURABILITY	500 Cycles	Axial force - mating end NA N Mini
WEIGHT	53.2 gr	Axial force - opposite end NA N Mini
SPECIFICATION		Torque NA cm.N Mini
		RECOMMENDED TORQUES
		Mating 130 cm.N
		Panel nut NA cm.N
		Clamp nut 500 cm.N

CONNECTOR PARTS	MATERIALS	FINISH	(all values are given) in micrometers
BODY	BRASS	BBR 2	
OUTER CONTACT	BRASS	BBR 2	
CENTER CONTACT	BRASS	GOLD 0.5 OVER NICKEL 2	
INSULATOR	PTFE	-	
GASKET	SILICONE RUBBER	-	
OTHERS PIECES	BRASS	BBR 2	

ISSUE 9813D01	CREATION DATE 26/10/1993	FILE PART-NUMBER EPC 96-07
-------------------------	------------------------------------	--------------------------------------



BONMINI

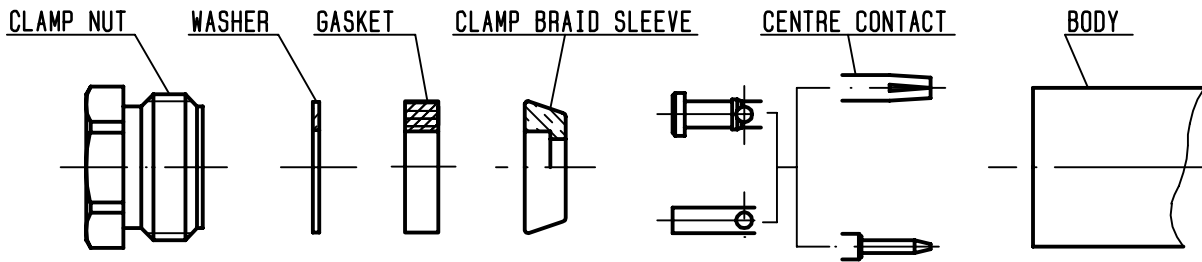
The information given here is subject to change without notice.
Design changes may be in order to improve the product .

Connect to the future



R162.013.000

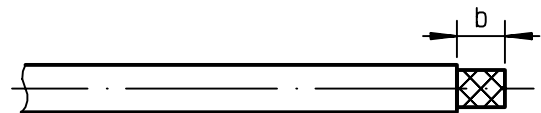
ISSUE **9813D01** SERIES **N 75**



①

Strip the cable .

-
-
-
-



Stripping	a	b	c	d	e
inch	0.177	0.394	0	0	0.059
mm	4.5	10			1.5

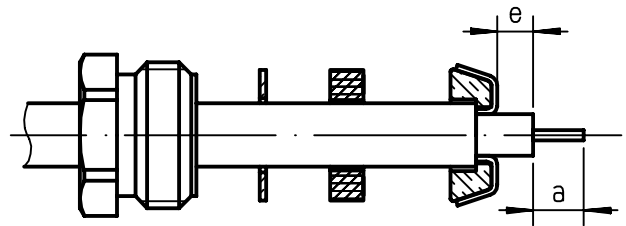
②

Slide the clamp nut , the washer and the gasket onto the cable .

Slide clamp braid sleeve over braid .
Fold back braid and trim off surplus braid .

Trim back dielectric as shown .

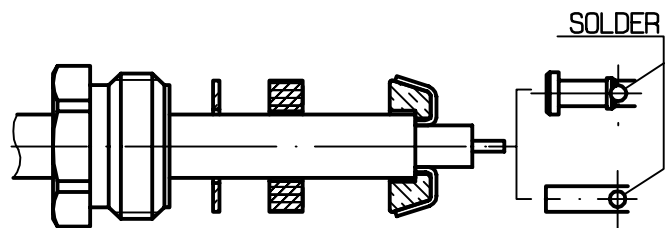
-



③

Solder the cable inner conductor into centre contact .

-
-
-
-



④

Screw sub-assembly into the connector body .

(recommended coupling torque 44.25 in.lb)

-
-

